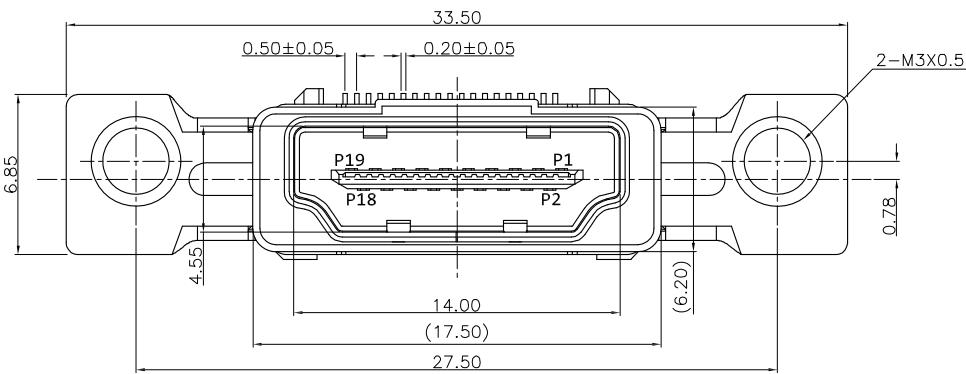
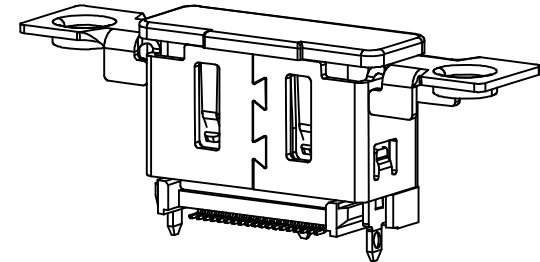


# Ordering Information

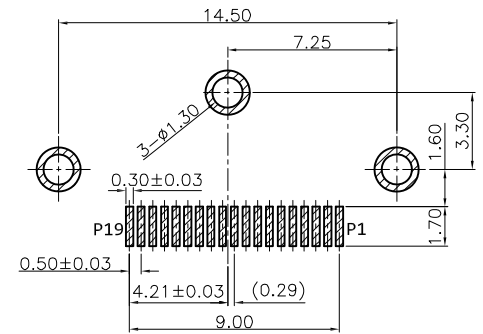
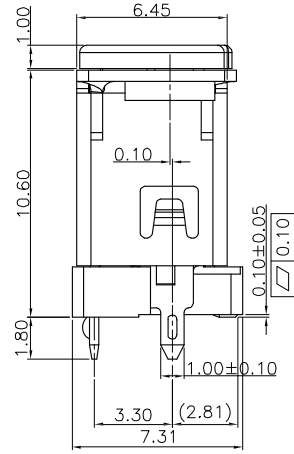
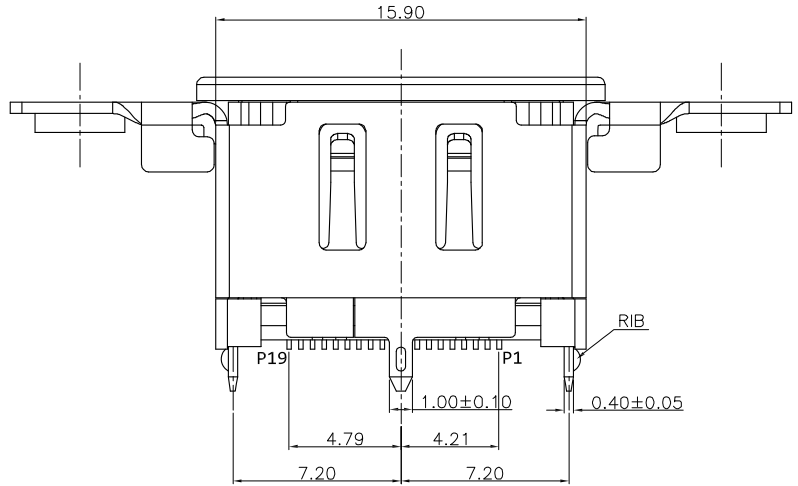
SERIES NO.	HA	F	1	3	V	XX	N	X	2	B	X	41
Normal Single Layer	F: Female	PIN TYPE 1.SMT 2.DIP 3.MIX	3:Wing Flange	Type R: RA V: Vertical H: Upright	Contact Plated G1: Gold Flash G6: 3u"	On PCB N: Normal R: Reverse S: Sunk	Shell Material Brass A: Nickel B: Gold Stainless C: Nickel D: Gold	Shell Legs 1: SMT Shell 2: DIP Shell 3: Front SMT Back 4: Front DIP Back 5: Front DIP Back Fork	Housing Color B: Black W: White	Packaging 1: Tube 2: Reel 3: Tray		



RoHS  
Compliant



3D VIEW



RECOMMENDED PCB LAYOUT 1.6 t  
TOLERANCE ±0.05  
(TOP VIEW)

NOTES:

- 1. MATERIAL:
  - 1.1 HOUSING: HIGH TEMPERATURE THERMOPLASTIC UL 94V-0 RATED, BLACK
  - 1.2 CONTACT: COPPER ALLOY
  - 1.3 SHELL: COPPER ALLOY, SPCC
- 2. PLATING:
  - 2.1 CONTACT: GOLD PLATED OVER NICKEL
  - 2.2 SHELL: NICKEL PLATED

REV.	REVISION RECORD	DATE	General Tolerances			
A	Original	04/24/13'	LINEAR	0.0 ±0.35 0.00±0.20	ANGLES ±3°	
B	Revised	09/14/13'		UNIT: mm		DWG.NO.: HAF13VXXNX2BX-41    REV. D
C	Revised	11/26/14'	A4	NAME	DATE	
D	Revised	01/07/15'	APPROVED	WENDY		
			DESIGNER	WHITE		
			DRAWN	ANGEL		